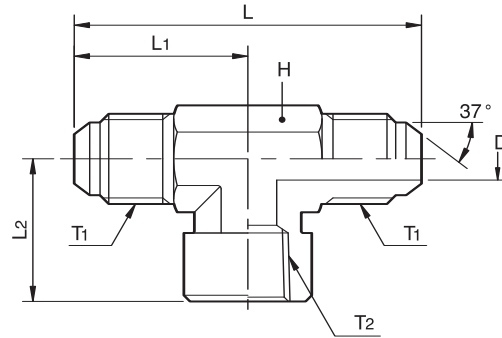
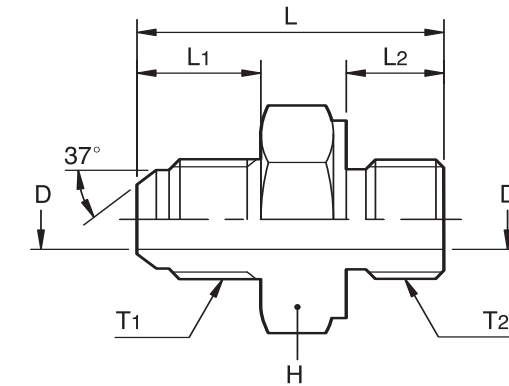


TEE FEMALE BRANCH
TFB



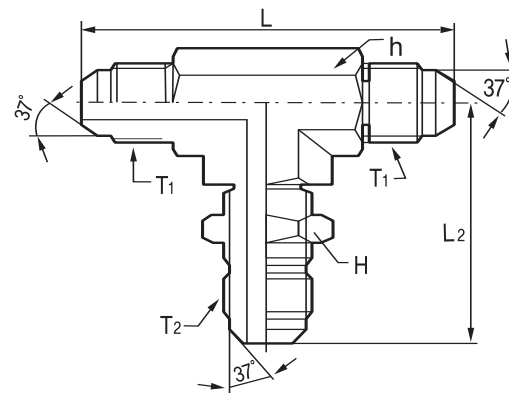
Part No.	T ₁ (UNF)	T ₂ (BSPT)	D	H	L	L ₁	L ₂
TFB 02R-07U	7/16	1/8	4.5	17	48	27.5	17
TFB 02R-08U	1/2	1/8	5.5	17	50	27.5	19
TFB 04R-09U	9/16	1/4	7	19	57	31	22.5
TFB 06R-12U	3/4	3/8	10	22	68	36	26
TFB 08R-14U	7/8	1/2	12	27	79	41.5	31
TFB 12R-17U	1 1/16	3/4	15.5	35	89	48	34.5
TFB 16R-21U	1 5/16	1	21	41	104	55	41
TFB 20R-26U	1 5/8	1 1/4	27.5	50	118	59	43
TFB 24R-30U	1 7/8	1 1/2	33	65	147	73.5	53
TFB 32R-40U	2 1/2	2	43	72	168	84	61

O-RING BOSS 'A' TYPE
OBA

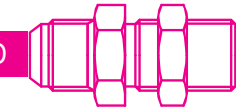


Part No.	T ₁ (UNF)	T ₂ (UNF)	D	D ₁	H	L	L ₁	L ₂
OBA 07U-07U	7/16	7/16	4.5	4.5	14	31	15	9.5
OBA 07U-08U	7/16	1/2	4.5	5.5	16	31	15	9.5
OBA 07U-09U	7/16	9/16	4.5	7	19	33	15	10
OBA 08U-08U	1/2	1/2	5.5	5.5	16	32	16	9.5
OBA 08U-09U	1/2	9/16	5.5	7	19	34	16	10
OBA 09U-09U	9/16	9/16	7	7	19	35	16	10
OBA 09U-12U	9/16	3/4	7	10	22	36.5	17	11.5
OBA 12U-12U	3/4	3/4	10	10	22	37.5	18	11.5
OBA 12U-14U	3/4	7/8	10	12	27	41.5	18	13
OBA 12U-17U	3/4	1 1/16	10	15.5	32	47.5	19.5	15.5
OBA 14U-12U	7/8	3/4	12	10	22	41.5	20	11.5
OBA 14U-14U	7/8	7/8	12	12	27	43	20	13
OBA 14U-17U	7/8	1 1/16	12	15.5	32	47.5	21	15.5
OBA 17U-12U	1 1/16	3/4	15.5	10	27	45	22.5	11.5
OBA 17U-14U	1 1/16	7/8	15.5	12	27	46.5	22.5	13
OBA 17U-17U	1 1/16	1 1/16	15.5	15.5	32	50	22.5	15.5
OBA 17U-21U	1 1/16	1 5/16	15.5	21	38	52	23	15.5
OBA 21U-17U	1 5/16	1 1/16	21	15.5	35	53	25	15.5
OBA 21U-21U	1 5/16	1 5/16	21	21	38	54	25	15.5
OBA 21U-26U	1 5/16	1 5/8	21	27.5	50	56	25	15.5
OBA 26U-26U	1 5/8	1 5/8	27.5	27.5	50	58.5	28	15.5
OBA 30U-30U	1 7/8	1 7/8	33	33	55	60	29	15.5
OBA 40U-40U	2 1/2	2 1/2	43	43	70	70.5	35	15.5

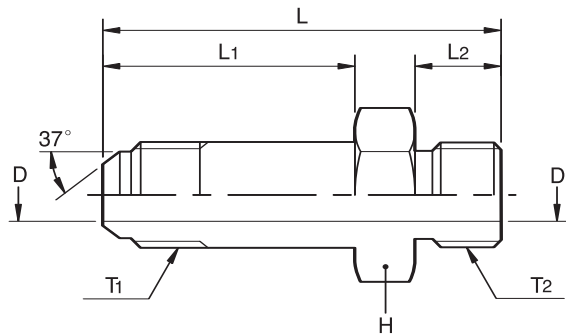
MALE BULK TEE
TBHU



Part No.	Threads		Dimensions mm			
	T ₁ (UNF)	T ₂ (UNF)	h	H	L	L ₂
TBHU 07U-07U	7/16	7/16	14	16	49	40.5
TBHU 08U-08U	1/2	1/2	14	16	52	41
TBHU 09U-09U	9/16	9/16	14	19	55	46
TBHU 12U-12U	3/4	3/4	19	24	69	53.5
TBHU 14U-14U	7/8	7/8	22	27	79	60.5
TBHU 17U-17U	1 1/16	1 1/16	27	32	90	68
TBHU 21U-21U	1 5/16	1 5/16	35	38	98	71
TBHU 26U-26U	1 5/8	1 5/8	41	50	110	79
TBHU 30U-30U	1 7/8	1 7/8	50	55	118	87

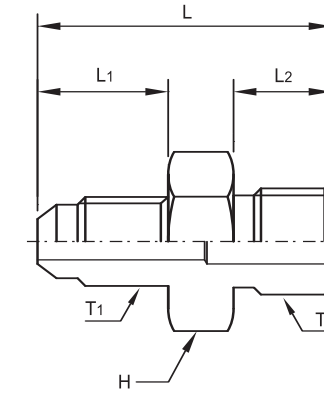


O-RING BOSS 'A' LONG
OBAL

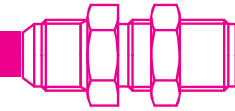


Part No.	T ₁ (UNF)	T ₂ (UNF)	D	D ₁	H	L	L ₁	L ₂
OBAL 07U-07U	7/16	7/16	4.5	4.5	14	53	35.5	9.5
OBAL 08U-08U	1/2	1/2	5.5	5.5	16	54.5	37	9.5
OBAL 09U-09U	9/16	9/16	7	7	19	58.5	39.5	10
OBAL 12U-12U	3/4	3/4	10	10	22	68.5	48	11.5
OBAL 14U-14U	7/8	7/8	12	12	27	77	53	13
OBAL 17U-17U	1 1/16	1 1/16	15.5	15.5	32	91.5	63.5	15.5
OBAL 21U-21U	1 5/16	1 5/16	21	21	38	101	72	15.5
OBAL 26U-26U	1 5/8	1 5/8	27.5	27.5	50	119	88	15.5
OBAL 30U-30U	1 7/8	1 7/8	33	33	55	130.5	98.5	15.5
OBAL 40U-40U	2 1/2	2 1/2	43	43	70	160	123	15.5

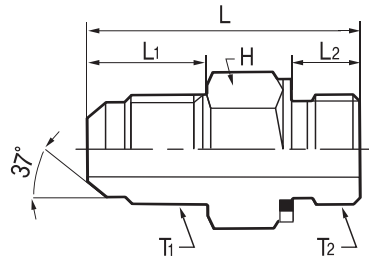
O-RING BOSS 'A-B' TYPE
OBAB



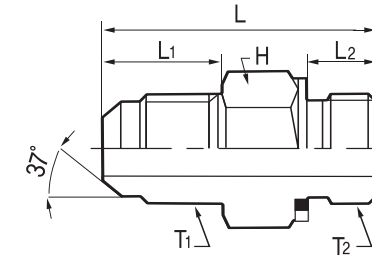
Part No.	T ₁ (UNF)	T ₂ (BSPP)	H	L	L ₁	L ₂
OBAB 07U-02G	7/16	1/8	14	30	15	8.5
OBAB 07U-04G	7/16	1/4	19	36	16	12
OBAB 07U-06G	7/16	3/8	22	36	16	12
OBAB 07U-08G	7/16	1/2	27	40.5	16.5	14
OBAB 08U-02G	1/2	1/8	14	30	15	8.5
OBAB 08U-04G	1/2	1/4	19	36.5	16	12
OBAB 08U-06G	1/2	3/8	22	36.5	16	12
OBAB 08U-08G	1/2	1/2	27	41	17	14
OBAB 09U-02G	9/16	1/8	14	31	16	8.5
OBAB 09U-04G	9/16	1/4	19	37	16	12
OBAB 09U-06G	9/16	3/8	22	37	17	12
OBAB 12U-04G	3/4	1/4	19	39	18.5	12
OBAB 12U-06G	3/4	3/8	22	39	18.5	12
OBAB 12U-08G	3/4	1/2	27	43	19	14
OBAB 12U-12G	3/4	3/4	32	47	19	16
OBAB 14U-08G	7/8	1/2	27	44	20	14
OBAB 14U-10G	7/8	5/8	27	47	21	16
OBAB 14U-12G	7/8	3/4	32	49	21	16
OBAB 17U-08G	1 1/16	1/2	27	48	24	14
OBAB 17U-10G	1 1/16	5/8	30	50	24	16
OBAB 17U-12G	1 1/16	3/4	32	52	24	16
OBAB 17U-16G	1 1/16	1	41	55	24.5	18
OBAB 19U-12G	1 3/16	3/4	32	52	24	16
OBAB 21U-12G	1 5/16	3/4	35	53	25	16
OBAB 21U-16G	1 5/16	1	41	55	25	18
OBAB 21U-20G	1 5/16	1 1/4	50	60	26	20
OBAB 26U-16G	1 5/8	1	43	59	28	18
OBAB 26U-20G	1 5/8	1 1/4	50	62	28	20
OBAB 30U-20G	1 7/8	1 1/4	50	64	30	20
OBAB 30U-24G	1 7/8	1 1/2	55	67	30	22
OBAB 40U-32G	2	2	72	86	37	24



MALE ADAPTER ED ORING UNF*PF (ED)
OBAE

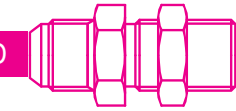


MALE ADAPTER ED
OBME



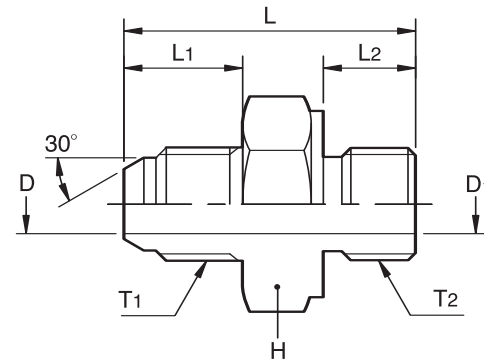
Part No.	Threads		Dimensions mm			
	T ₁ (UNF)	T ₂ (BSPP)	H	L	L ₁	L ₂
OBAE 07U-02G	7/16	1/8	14	30	15	8.5
OBAE 07U-04G	7/16	1/4	19	36	16	12
OBAE 07U-06G	7/16	3/8	22	36.5	16	12
OBAE 07U-08G	7/16	1/2	27	40.5	16	14
OBAE 08U-02G	1/2	1/8	14	30	15	8.5
OBAE 08U-04G	1/2	1/4	19	36.5	16	12
OBAE 08U-06G	1/2	3/8	22	36.5	16	12
OBAE 09U-04G	9/16	1/4	19	37	16	12
OBAE 09U-06G	9/16	3/8	22	37	17	12
OBAE 09U-08G	9/16	1/2	27	41	17	14
OBAE 12U-04G	3/4	1/4	19	39	18	12
OBAE 12U-06G	3/4	3/8	22	39	18	12
OBAE 12U-08G	3/4	1/2	27	43	19	14
OBAE 12U-12G	3/4	3/4	32	47	19	16
OBAE 14U-06G	7/8	3/8	22	42	21	12
OBAE 14U-08G	7/8	1/2	27	45	21	14
OBAE 14U-12G	7/8	3/4	32	49	21	16
OBAE 17U-08G	1 1/16	1/2	27	48	24	14
OBAE 17U-12G	1 1/16	3/4	32	52	24	16
OBAE 17U-16G	1 1/16	1	41	55	24	18
OBAE 19U-12G	1 3/16	3/4	32	54	23	16
OBAE 21U-12G	1 5/16	3/4	35	53	25	16
OBAE 21U-16G	1 5/16	1	41	55	25	18
OBAE 21U-20G	1 5/16	1 1/4	50	60	26	20
OBAE 26U-16G	1 5/8	1	43	59	28	18
OBAE 26U-20G	1 5/8	1 1/4	50	62	28	20
OBAB 30U-20G	1 7/8	1 1/4	50	64	30	20
OBAB 30U-24G	1 7/8	1 1/2	55	67	30	22

Part No.	Threads		Dimensions mm			
	T ₁ (UNF)	T ₂ (METRIC)	H	L	L ₁	L ₂
OBME 07U-10M	7/16	10 × 1	16	30	15	9
OBME 07U-12M	7/16	12 × 1.5	19	34	15	11
OBME 08U-10M	1/2	10 × 1	16	30	15	9
OBME 08U-12M	1/2	12 × 1.5	19	35	16	11
OBME 08U-14M	1/2	14 × 1.5	19	35	16	11
OBME 08U-18M	1/2	18 × 1.5	22	38	16	14
OBME 09U-14M	9/16	14 × 1.5	19	35	16	11
OBME 09U-16M	9/16	16 × 1.5	22	37.5	17	12.5
OBME 09U-18M	9/16	18 × 1.5	22	39	17	14
OBME 12U-16M	3/4	16 × 1.5	22	39	19	12.5
OBME 12U-18M	3/4	18 × 1.5	24	41	19	14
OBME 14U-18M	7/8	18 × 1.5	24	42	20	14
OBME 14U-22M	7/8	22 × 1.5	27	45	20	15
OBME 17U-22M	1 1/16	22 × 1.5	27	49	24	15
OBME 17U-27M	1 1/16	27 × 2	32	54	24	18.5
OBME 21U-27M	1 5/16	33 × 2	35	55	25	18.5
OBME 21U-33M	1 5/16	42 × 2	41	56	25	18.5
OBME 26U-42M	1 5/8	48 × 2	50	62	28	19
OBME 30U-48M	1 7/8	48 × 2	55	67	30	22



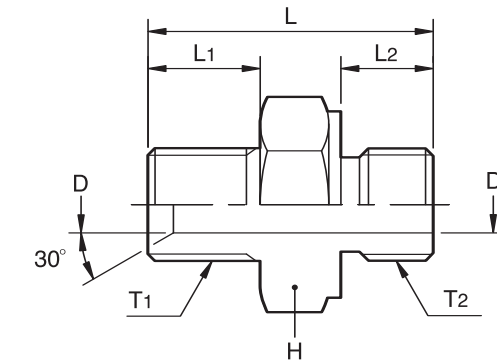
O-RING BOSS 'B' TYPE

OBB



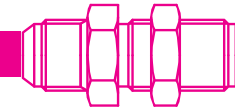
O-RING BOSS 'C' TYPE

OBC



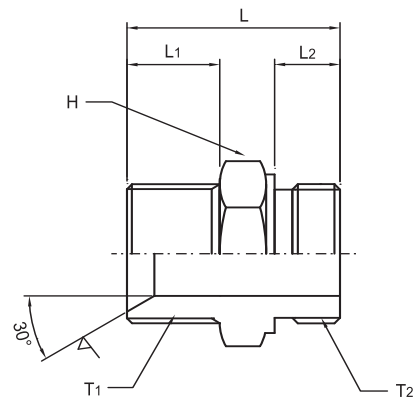
Part No.	T ₁ (BSPP)	T ₂ (BSPP)	D	D ₁	H	L	L ₁	L ₂
OBB 04G-04G	1/4	1/4	5.5	5.5	19	33	14	11
OBB 04G-06G	1/4	3/8	5.5	9	22	33	14	11
OBB 06G-04G	3/8	1/4	9	5.5	19	35	16	11
OBB 06G-06G	3/8	3/8	8	8	22	35	16	11
OBB 06G-08G	3/8	1/2	8	11.5	27	42	16	15
OBB 08G-06G	1/2	3/8	11.5	8	22	40	19	11
OBB 08G-08G	1/2	1/2	11.5	11.5	27	44	19	15
OBB 08G-12G	1/2	3/4	11.5	15.5	32	45	19	16
OBB 12G-08G	3/4	1/2	15.5	11.5	27	46	21	15
OBB 12G-12G	3/4	3/4	15.5	15.5	32	47	21	16
OBB 12G-16G	3/4	1	15.5	20	38	53	21	20
OBB 16G-12G	1	3/4	20	15.5	35	51	23	16
OBB 16G-16G	1	1	20	20	38	55	23	20
OBB 16G-20G	1	1 1/4	20	26	50	57	23	20
OBB 20G-16G	1 1/4	1	26	20	46	61	27	20
OBB 20G-20G	1 1/4	1 1/4	26	26	50	62	27	20
OBB 24G-20G	1 1/2	1 1/4	33	26	50	62	27	20
OBB 24G-24G	1 1/2	1 1/2	33	33	55	62	27	20

Part No.	T ₁ (BSPP)	T ₂ (BSPP)	D	D ₁	H	L	L ₁	L ₂
OBC 04G-04G	1/4	1/4	5.5	5.5	19	33	13	12
OBC 04G-06G	1/4	3/8	5.5	9	22	34	13	12
OBC 06G-04G	3/8	1/4	9	5.5	19	36	15	12
OBC 06G-06G	3/8	3/8	8	8	22	36	15	12
OBC 06G-08G	3/8	1/2	8	11.5	27	40	15	14
OBC 08G-06G	1/2	3/8	11.5	8	22	40	18	12
OBC 08G-08G	1/2	1/2	11.5	11.5	27	43	18	14
OBC 08G-12G	1/2	3/4	11.5	15.5	32	46	18	16
OBC 12G-08G	3/4	1/2	15.5	11.5	27	44	20	14
OBC 12G-12G	3/4	3/4	15.5	15.5	32	48	20	16
OBC 12G-16G	3/4	1	15.5	20	41	50	20	18
OBC 16G-12G	1	3/4	20	15.5	35	50	22	16
OBC 16G-16G	1	1	20	20	41	52	22	18
OBC 16G-20G	1	1 1/4	20	26	50	56	22	20
OBC 20G-16G	1 1/4	1	26	20	43	57	26	18
OBC 20G-20G	1 1/4	1 1/4	26	26	50	60	26	20
OBC 24G-20G	1 1/2	1 1/4	33	26	50	60	27	20
OBC 24G-24G	1 1/2	1 1/2	33	33	55	63	27	22



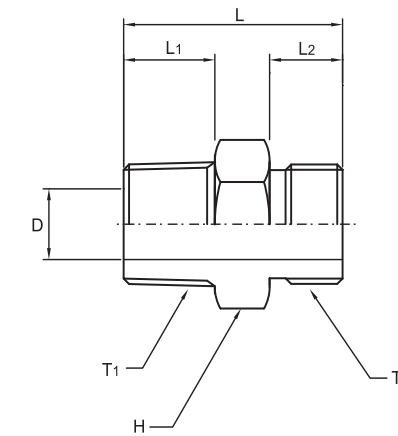
O-RING BOSS 'C-A' TYPE

OBCA



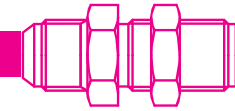
O-RING BOSS 'D' TYPE

OBD

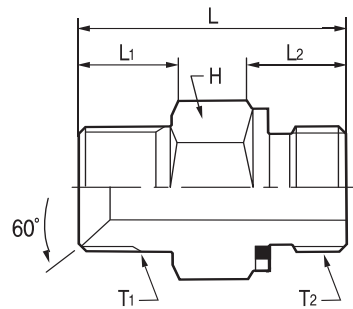


Part No.	T ₁ (BSPP)	T ₂ (UNF)	H	L	L ₁	L ₂
OBCA 02G-07U	1/8	7/16	14	27	10	9.5
OBCA 04G-08U	1/4	1/2	16	30	13	9.5
OBCA 04G-09U	1/4	9/16	19	32	13	10
OBCA 06G-12U	3/8	3/4	22	35.5	15	11.5
OBCA 08G-14U	1/2	7/8	27	40.5	18	13
OBCA 12G-17U	3/4	1 1/16	32	48	20	15.5
OBCA 16G-21U	1	1 5/16	38	50.5	22	15.5
OBCA 20G-26U	1 1/4	1 5/8	50	56.5	26	15.5
OBCA 24G-30U	1 1/2	1 7/8	55	60	27.5	15.5
OBCA 32G-40U	2	2 1/2	70	75	31	20

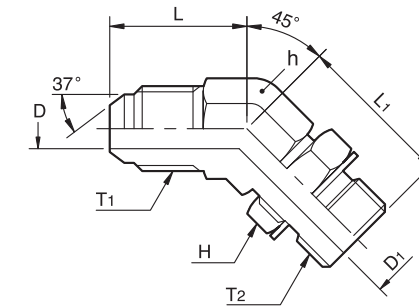
Part No.	T ₁ (BSPT)	T ₂ (BSPP)	D	H	L	L ₁	L ₂
OBD 02R-02G	1/8	1/8	4	14	26.5	11	9
OBD 04R-04G	1/4	1/4	5.5	19	34	14	12
OBD 06R-06G	3/8	3/8	8	22	36.5	16	12
OBD 08R-08G	1/2	1/2	11.5	27	43	19	14
OBD 12R-12G	3/4	3/4	15.5	32	48	20	16
OBD 16R-16G	1	1	20	41	53.5	23	18
OBD 20R-20G	1 1/4	1 1/4	27.5	50	60	26	20
OBD 24R-24G	1 1/2	1 1/2	33	55	66	29	22
OBD 32R-32G	2	2	43	70	83	34	24



MALE ED ADAPTER
EOC

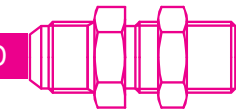


45° O-RING ELBOW 'A' TYPE
EWOA

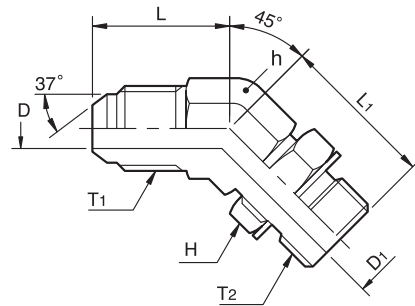


Part No.	Threads		Dimensions mm			
	T ₁ (BSPP)	T ₂ (BSPP)	H	L	L ₁	L ₂
EOC 04G-04G	1/4	1/4	19	33	13	12
EOC 04G-06G	1/4	3/8	22	34	13	12
EOC 06G-04G	3/8	1/4	19	36	15	12
EOC 06G-06G	3/8	3/8	22	36	15	12
EOC 06G-08G	3/8	1/2	27	39	15	14
EOC 08G-06G	1/2	3/8	22	39	18	12
EOC 08G-08G	1/2	1/2	27	42	18	14
EOC 08G-12G	1/2	3/4	32	46	18	16
EOC 12G-08G	3/4	1/2	27	44	20	14
EOC 12G-12G	3/4	3/4	32	48	20	16
EOC 12G-16G	3/4	1	41	50	20	18
EOC 16G-12G	1	3/4	35	50	22	16
EOC 16G-16G	1	1	41	52	22	18
EOC 16G-20G	1	1 1/4	50	56	22	20
EOC 20G-16G	1 1/4	1	43	57	26	18
EOC 20G-20G	1 1/4	1 1/4	50	60	26	20
EOC 24G-20G	1 1/2	1 1/4	50	60	27	20
EOC 24G-24G	1 1/2	1 1/2	55	63	27	22

Part No.	T ₁ (UNF)	T ₂ (UNF)	D	D ₁	h	H	L	L ₁
EWOA 07U-07U	7/16	7/16	4.5	4.5	14	16	22	26.5
EWOA 08U-08U	1/2	1/2	5.5	5.5	14	16	22	26.5
EWOA 09U-09U	9/16	9/16	7	7	14	19	22	28
EWOA 12U-12U	3/4	3/4	10	10	19	24	26	33
EWOA 14U-14U	7/8	7/8	12	12	22	27	30	38.5
EWOA 17U-17U	1 1/16	1 1/16	15.5	15.5	27	32	32.5	43
EWOA 21U-21U	1 5/16	1 5/16	21	21	35	38	40	46
EWOA 26U-26U	1 5/8	1 5/8	27.5	27.5	44	50	46	48.5
EWOA 30U-30U	1 7/8	1 7/8	33	33	50	55	46	48.5

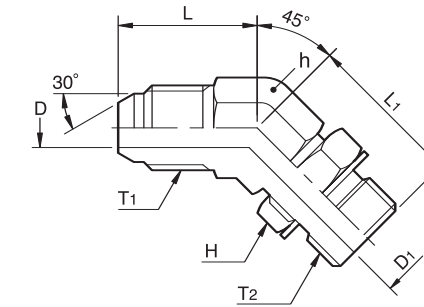


45° O-RING ELBOW 'A-B' TYPE **EWOAB**



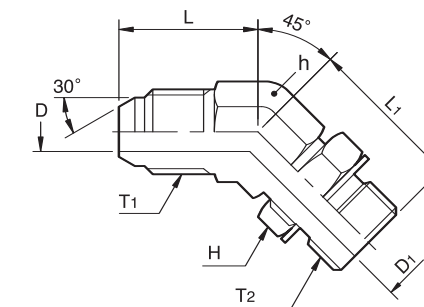
Part No.	T ₁ (UNF)	T ₂ (BSPP)	D	D ₁	h	H	L	L ₁
EWOAB 07U-02G	7/16	1/8	4.5	4.5	14	14	22	26.5
EWOAB 08U-04G	1/2	1/4	5.5	5.5	14	19	22	28
EWOAB 09U-04G	9/16	1/4	7	5.5	14	19	22	28
EWOAB 12U-06G	3/4	3/8	10	8	19	22	26	33
EWOAB 14U-08G	7/8	1/2	12	11.5	22	27	30	38.5
EWOAB 17U-12G	1 1/16	3/4	15.5	15.5	27	32	32.5	43
EWOAB 21U-16G	1 5/16	1	21	20	35	41	40	46
EWOAB 26U-20G	1 5/8	1 1/4	27.5	26	44	50	46	48.5
EWOAB 30U-24G	1 7/8	1 1/2	33	33	50	55	46	48.5

45° O-RING ELBOW 'B' TYPE **EWOB**

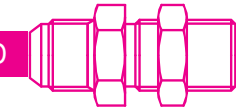


Part No.	T ₁ (BSPP)	T ₂ (BSPP)	D	D ₁	h	H	L	L ₁
EWOB 04G-04G	1/4	1/4	5.5	5.5	14	19	21	28
EWOB 04G-06G	1/4	3/8	5.5	8	19	22	25	33
EWOB 06G-04G	3/8	1/4	8	5.5	19	19	25	33
EWOB 06G-06G	3/8	3/8	8	8	19	22	25	33
EWOB 06G-08G	3/8	1/2	8	11.5	22	27	28	38.5
EWOB 08G-06G	1/2	3/8	11.5	8	22	22	28	38.5
EWOB 08G-08G	1/2	1/2	11.5	11.5	22	27	28	38.5
EWOB 08G-12G	1/2	3/4	11.5	15.5	27	32	33	43
EWOB 12G-08G	3/4	1/2	15.5	11.5	27	27	33	43
EWOB 12G-12G	3/4	3/4	15.5	15.5	27	32	33	43
EWOB 12G-16G	3/4	1	15.5	20	35	41	37	46
EWOB 16G-12G	1	3/4	20	15.5	35	32	37	46
EWOB 16G-16G	1	1	20	20	35	41	37	46
EWOB 16G-20G	1	1 1/4	20	26	44	50	37	48.5
EWOB 20G-16G	1 1/4	1	26	20	44	41	42	48.5
EWOB 20G-20G	1 1/4	1 1/4	26	26	44	50	42	48.5

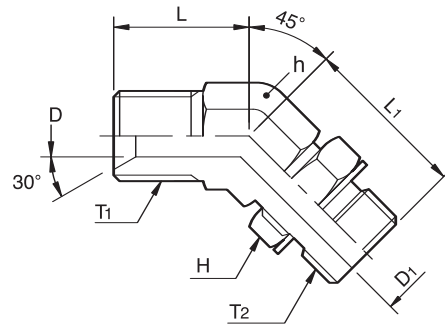
45° O-RING ELBOW 'B-A' TYPE **EWOBA**



Part No.	T ₁ (BSPP)	T ₂ (UNF)	D	D ₁	h	H	L	L ₁
EWOBA 04G-09U	1/4	9/16	5.5	7	14	19	21	28
EWOBA 06G-12U	3/8	3/4	8	10	19	24	25	33
EWOBA 08G-14U	1/2	7/8	11.5	12	22	27	28	38.5
EWOBA 12G-17U	3/4	1 1/16	15.5	15.5	27	32	33	43
EWOBA 16G-21U	1	1 5/16	20	21	35	38	37	46
EWOBA 20G-26U	1 1/4	1 5/8	26	27.5	44	50	42	48.5

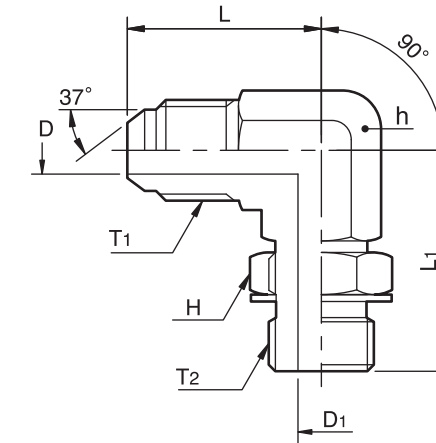


45° O-RING ELBOW 'C' TYPE
EWOC



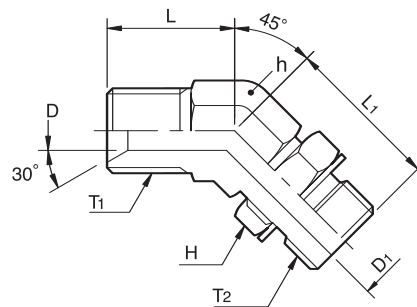
Part No.	T ₁ (BSPP)	T ₂ (BSPP)	D	D ₁	h	H	L	L ₁
EWOC 04G-04G	1/4	1/4	5.5	5.5	14	19	21	28
EWOC 04G-06G	1/4	3/8	5.5	8	19	22	23	33
EWOC 06G-04G	3/8	1/4	8	5.5	19	19	25	33
EWOC 06G-06G	3/8	3/8	8	8	19	22	25	33
EWOC 06G-08G	3/8	1/2	8	11.5	22	27	26	38.5
EWOC 08G-06G	1/2	3/8	11.5	8	22	22	28	38.5
EWOC 08G-08G	1/2	1/2	11.5	11.5	22	27	28	38.5
EWOC 08G-12G	1/2	3/4	11.5	15.5	27	32	30	43
EWOC 12G-08G	3/4	1/2	15.5	11.5	27	27	33	43
EWOC 12G-12G	3/4	3/4	15.5	15.5	27	32	33	43
EWOC 12G-16G	3/4	1	15.5	20	35	41	35	46
EWOC 16G-12G	1	3/4	20	15.5	35	32	38	46
EWOC 16G-16G	1	1	20	20	35	41	38	46
EWOC 16G-20G	1	1 1/4	20	26	44	50	40	48.5
EWOC 20G-16G	1 1/4	1	26	20	44	41	45	48.5
EWOC 20G-20G	1 1/4	1 1/4	26	26	44	50	45	48.5

90° O-RING ELBOW 'A' TYPE
ELOA

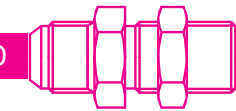


Part No.	T ₁ (UNF)	T ₂ (UNF)	D	D ₁	h	H	L	L ₁
ELOA 07U-07U	7/16	7/16	4.5	4.5	14	16	24	26
ELOA 07U-09U	7/16	9/16	4.5	7	14	19	24	31.5
ELOA 08U-07U	1/2	7/16	5.5	4.5	14	16	25	26
ELOA 08U-08U	1/2	1/2	5.5	5.5	14	16	25	27.5
ELOA 08U-09U	1/2	9/16	5.5	7	14	19	25	31.5
ELOA 09U-07U	9/16	7/16	7	4.5	14	16	27	30
ELOA 09U-08U	9/16	1/2	7	5.5	14	16	27	30
ELOA 09U-09U	9/16	9/16	7	7	14	19	27	31.5
ELOA 09U-12U	9/16	3/4	7	10	19	24	28.5	36.5
ELOA 09U-14U	9/16	7/8	7	12	22	27	31	43
ELOA 12U-09U	3/4	9/16	10	7	19	19	31.5	34.5
ELOA 12U-12U	3/4	3/4	10	10	19	24	31.5	36.5
ELOA 12U-14U	3/4	7/8	10	12	22	27	34	43
ELOA 12U-17U	3/4	1 1/16	10	15.5	27	32	37	49
ELOA 14U-09U	7/8	9/16	12	7	22	19	36.5	36
ELOA 14U-12U	7/8	3/4	12	10	22	24	36.5	39.5
ELOA 14U-14U	7/8	7/8	12	12	22	27	36.5	43
ELOA 14U-17U	7/8	1 1/16	12	15.5	27	27	39.5	49
ELOA 17U-12U	1 1/16	3/4	15.5	10	27	24	42	42
ELOA 17U-14U	1 1/16	7/8	15.5	12	27	27	42	45.5
ELOA 17U-17U	1 1/16	1 1/16	15.5	15.5	27	27	42	49
ELOA 17U-21U	1 1/16	1 5/16	15.5	21	35	38	44.5	52
ELOA 21U-17U	1 5/16	1 1/16	21	15.5	35	32	46	52
ELOA 21U-21U	1 5/16	1 5/16	21	21	35	38	46	52
ELOA 21U-26U	1 5/16	1 5/8	21	27.5	41	50	52	57
ELOA 26U-21U	1 5/8	1 5/16	27.5	21	41	38	52	57
ELOA 26U-26U	1 5/8	1 5/8	27.5	27.5	41	50	52	57
ELOA 26U-30U	1 5/8	1 7/8	27.5	33	50	55	59	64
ELOA 30U-26U	1 7/8	1 5/8	33	27.5	50	50	59	61
ELOA 30U-30U	1 7/8	1 7/8	33	33	50	55	59	64
ELOA 40U-40U	2 1/2	2 1/2	43	43	65	70	76	76

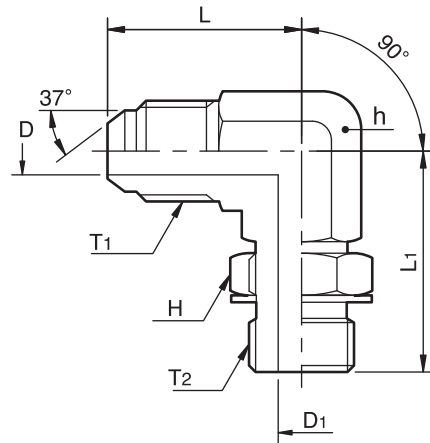
45° O-RING ELBOW 'C-A' TYPE
EWOCA



Part No.	T ₁ (BSPP)	T ₂ (UNF)	D	D ₁	h	H	L	L ₁
EWOCA 04G-09U	1/4	9/16	5.5	7	14	19	21	28
EWOCA 06G-12U	3/8	3/4	8	10	19	24	25	33
EWOCA 08G-14U	1/2	7/8	11.5	12	22	27	28	38.5
EWOCA 12G-17U	3/4	1 1/16	15.5	15.5	27	32	33	43
EWOCA 16G-21U	1	1 5/16	20	21	35	38	38	46
EWOCA 20G-26U	1 1/4	1 5/8	26	27.5	44	50	45	48.5

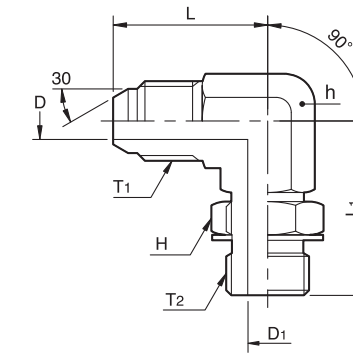


90° O-RING ELBOW 'A-B' TYPE
ELOAB



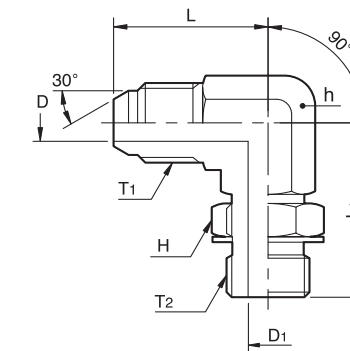
Part No.	T ₁ (UNF)	T ₂ (BSPP)	D	D ₁	h	H	L	L ₁
ELOAB 07U-02G	7/16	1/8	4.5	4.5	14	14	24	26
ELOAB 07U-04G	7/16	1/4	4.5	5.5	14	19	24	31.5
ELOAB 07U-06G	7/16	3/8	4.5	8	19	22	28.5	36.5
ELOAB 07U-08G	7/16	1/2	4.5	11.5	22	27	31	43
ELOAB 08U-02G	1/2	1/8	5.5	4.5	14	14	25	27.5
ELOAB 08U-04G	1/2	1/4	5.5	5.5	14	19	25	31.5
ELOAB 08U-06G	1/2	3/8	5.5	8	19	22	28.5	36.5
ELOAB 09U-04G	9/16	1/4	7	5.5	14	19	27	31.5
ELOAB 09U-06G	9/16	3/8	7	8	19	22	28.5	36.5
ELOAB 09U-08G	9/16	1/2	7	11.5	22	27	31	43
ELOAB 12U-04G	3/4	1/4	10	5.5	19	19	31.5	33.5
ELOAB 12U-06G	3/4	3/8	10	8	19	22	31.5	36.5
ELOAB 12U-08G	3/4	1/2	10	11.5	22	27	34	43
ELOAB 12U-12G	3/4	3/4	10	15.5	27	32	37	49
ELOAB 14U-06G	7/8	3/8	12	8	22	22	36.5	39.5
ELOAB 14U-08G	7/8	1/2	12	11.5	22	27	36.5	43
ELOAB 14U-12G	7/8	3/4	12	15.5	27	32	39.5	49
ELOAB 17U-08G	1 1/16	1/2	15.5	11.5	27	27	42	45.5
ELOAB 17U-12G	1 1/16	3/4	15.5	15.5	27	32	42	49
ELOAB 17U-16G	1 1/16	1	15.5	20	35	41	44.5	52
ELOAB 21U-12G	1 5/16	3/4	21	15.5	35	32	46	52
ELOAB 21U-16G	1 5/16	1	21	20	35	41	46	52
ELOAB 21U-20G	1 5/16	1 1/4	21	26	41	50	52	57
ELOAB 26U-16G	1 5/8	1	21	20	41	41	52	57
ELOAB 26U-20G	1 5/8	1 1/4	27.5	26	41	50	52	57
ELOAB 30U-20G	1 7/8	1 1/4	33	26	50	50	59	61
ELOAB 30U-24G	1 7/8	1 1/2	33	33	50	55	59	64

90° O-RING ELBOW 'B' TYPE
ELOB

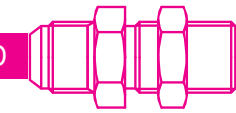


Part No.	T ₁ (BSPP)	T ₂ (BSPP)	D	D ₁	h	H	L	L ₁
ELOB 04G-04G	1/4	1/4	5.5	5.5	14	19	27	31.5
ELOB 04G-06G	1/4	3/8	5.5	8	19	22	32	36.5
ELOB 06G-04G	3/8	1/4	8	5.5	19	19	32	33.5
ELOB 06G-06G	3/8	3/8	8	8	19	22	32	36.5
ELOB 06G-08G	3/8	1/2	8	11.5	22	27	37	43
ELOB 08G-06G	1/2	3/8	11.5	8	22	22	37	39.5
ELOB 08G-08G	1/2	1/2	11.5	11.5	22	27	37	43
ELOB 08G-12G	1/2	3/4	11.5	15.5	27	32	42	49
ELOB 12G-08G	3/4	1/2	15.5	11.5	27	27	42	45.5
ELOB 12G-12G	3/4	3/4	15.5	15.5	27	32	42	49
ELOB 12G-16G	3/4	1	15.5	20	35	41	46	52
ELOB 16G-12G	1	3/4	20	15.5	35	32	46	52
ELOB 16G-16G	1	1	20	20	35	41	46	52
ELOB 16G-20G	1	1 1/4	20	26	41	50	50	57
ELOB 20G-16G	1 1/4	1	26	20	41	41	52	57
ELOB 20G-20G	1 1/4	1 1/4	26	26	41	50	52	57

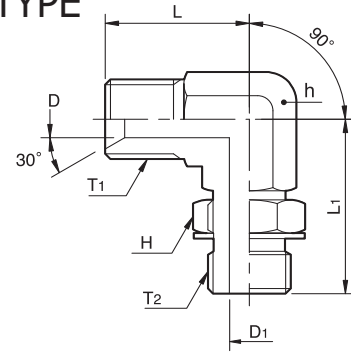
90° O-RING ELBOW 'B-A' TYPE
ELOBA



Part No.	T ₁ (BSPP)	T ₂ (UNF)	D	D ₁	h	H	L	L ₁
ELOBA 04G-09U	1/4	9/16	5.5	7	14	19	27	31.5
ELOBA 06G-12U	3/8	3/4	8	10	19	24	32	36.5
ELOBA 08G-14U	1/2	7/8	11.5	12	22	27	37	43
ELOBA 12G-17U	3/4	1 1/16	15.5	15.5	27	32	42	49
ELOBA 16G-21U	1	1 5/16	20	21	35	38	46	52
ELOBA 20G-26U	1 1/4	1 5/8	26	27.5	41	50	50	57

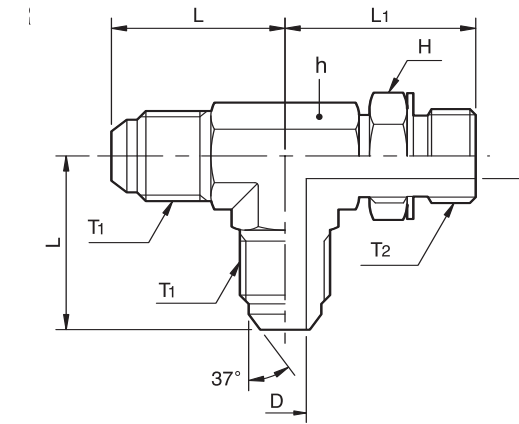


90° O-RING ELBOW 'C' TYPE
ELOC



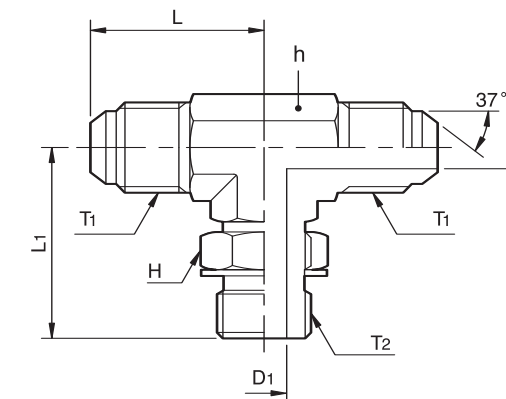
Part No.	T ₁ (BSPP)	T ₂ (BSPP)	D	D ₁	h	H	L	L ₁
ELOC 04G-04G	1/4	1/4	5.5	5.5	14	19	25	31.5
ELOC 04G-06G	1/4	3/8	5.5	8	19	22	26	36.5
ELOC 06G-04G	3/8	1/4	8	5.5	19	19	29	33.5
ELOC 06G-06G	3/8	3/8	8	8	19	22	29	36.5
ELOC 06G-08G	3/8	1/2	8	11.5	22	27	30	43
ELOC 08G-06G	1/2	3/8	11.5	8	22	22	33	39.5
ELOC 08G-08G	1/2	1/2	11.5	11.5	22	27	33	43
ELOC 08G-12G	1/2	3/4	11.5	15.5	27	32	36	49
ELOC 12G-08G	3/4	1/2	15.5	11.5	27	27	38	45.5
ELOC 12G-12G	3/4	3/4	15.5	15.5	27	32	38	49
ELOC 12G-16G	3/4	1	15.5	20	35	41	42	52
ELOC 16G-12G	1	3/4	20	15.5	35	32	45	52
ELOC 16G-16G	1	1	20	20	35	41	45	52
ELOC 16G-20G	1	1 1/4	20	26	41	50	52	57
ELOC 20G-16G	1 1/4	1	26	20	41	41	52	57
ELOC 20G-20G	1 1/4	1 1/4	26	26	41	50	52	57

O-RING RUN TEE
TOR



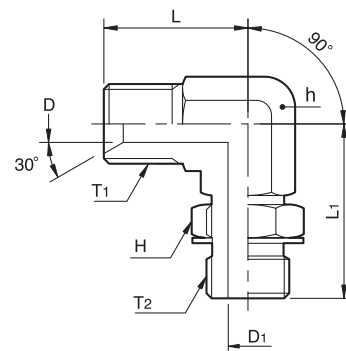
Part No.	T ₁ (UNF)	T ₂ (UNF)	D	D ₁	h	H	L	L ₁
TOR 07U-07U	7/16	7/16	4.5	4.5	14	16	24	26
TOR 08U-08U	1/2	1/2	5.5	5.5	14	16	25	27.5
TOR 09U-09U	9/16	9/16	7	7	14	19	27	31.5
TOR 12U-12U	3/4	3/4	10	10	19	24	31.5	36.5
TOR 14U-14U	7/8	7/8	12	12	22	27	36.5	43
TOR 17U-17U	1 1/16	1 1/16	15.5	15.5	27	32	42	49
TOR 21U-21U	1 5/16	1 5/16	21	21	35	38	46	52

O-RING BRANCH TEE
TOB



Part No.	T ₁ (UNF)	T ₂ (UNF)	D	D ₁	h	H	L	L ₁
TOB 07U-07U	7/16	7/16	4.5	4.5	14	16	24	26
TOB 08U-08U	1/2	1/2	5.5	5.5	14	16	25	27.5
TOB 09U-09U	9/16	9/16	7	7	14	19	27	31.5
TOB 12U-12U	3/4	3/4	10	10	19	24	31.5	36.5
TOB 14U-14U	7/8	7/8	12	12	22	27	36.5	43
TOB 17U-17U	1 1/16	1 1/16	15.5	15.5	27	32	42	49
TOB 21U-21U	1 5/16	1 5/16	21	21	35	38	46	52

90° O-RING ELBOW 'C-A' TYPE
ELOCA



Part No.	T ₁ (BSPP)	T ₂ (UNF)	D	D ₁	h	H	L	L ₁
ELOCA 04G-09U	1/4	9/16	5.5	7	14	19	25	31.5
ELOCA 06G-12U	3/8	3/4	8	10	19	24	29	36.5
ELOCA 08G-14U	1/2	7/8	11.5	12	22	27	33	43
ELOCA 12G-17U	3/4	1 1/16	15.5	15.5	27	32	38	49
ELOCA 16G-21U	1	1 5/16	20	21	35	38	45	52
ELOCA 20G-26U	1 1/4	1 5/8	26	27.5	41	50	52	57