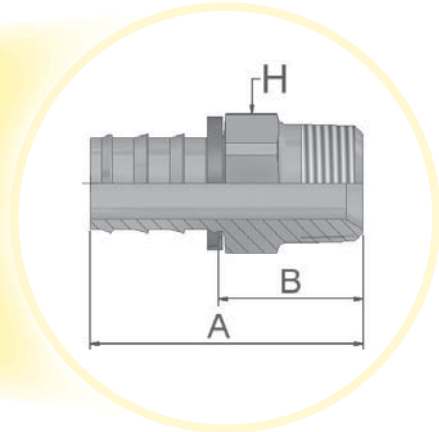



01 – Male NPTF Pipe – Rigid – Straight

SAE J476A / J516



Approved fitting series for hose types:

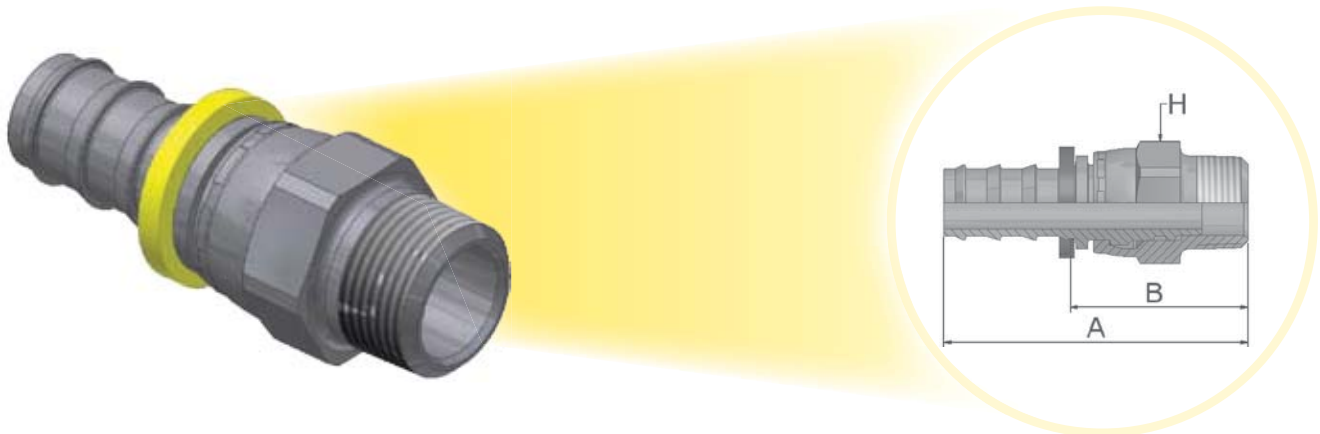


XXXX-XX-XX Part Number 	Hose I.D.				Thread NPTF	A mm	B mm	H Inch
	DN	Inch	Size	mm				
30182-2-4	6	1/4	-4	6,3	1/8x27	35	16	7/16
30182-2-4B	6	1/4	-4	6,3	1/8x27	35	16	7/16
30182-2-4-SM	6	1/4	-4	6,3	1/8x27	35	16	12
30182-4-4	6	1/4	-4	6,3	1/4x18	40	21	9/16
30182-4-4-SM	6	1/4	-4	6,3	1/4x18	40	21	14
30182-4-4B	6	1/4	-4	6,3	1/4x18	40	21	9/16
30182-4-4C	6	1/4	-4	6,3	1/4x18	40	21	9/16
30182-8-4C	6	1/4	-4	6,3	1/2x14	48	29	7/8
30182-4-6	10	3/8	-6	9,5	1/4x18	45	22	9/16
30182-4-6B	10	3/8	-6	9,5	1/4x18	45	22	9/16
30182-4-6-SM	10	3/8	-6	9,5	1/4x18	45	22	14
30182-6-6	10	3/8	-6	9,5	3/8x18	45	22	11/16
30182-6-6B	10	3/8	-6	9,5	3/8x18	45	22	11/16
30182-6-6-SM	10	3/8	-6	9,5	3/8x18	45	22	22
30182-6-6C	10	3/8	-6	9,5	3/8x18	45	23	11/16
30182-8-6-SM	10	3/8	-6	9,5	1/2x14	52	29	22
30182-8-6B-SM	10	3/8	-6	9,5	1/2x14	52	29	22
30182-6-8	12	1/2	-8	12,7	3/8x18	49	22	11/16
30182-6-8B	12	1/2	-8	12,7	3/8x18	49	22	11/16
30182-8-8	12	1/2	-8	12,7	1/2x14	55	29	7/8
30182-8-8B	12	1/2	-8	12,7	1/2x14	55	29	7/8
30182-8-8B-SM	12	1/2	-8	12,7	1/2x14	55	29	22
30182-8-8C	12	1/2	-8	12,7	1/2x14	55	29	7/8
30182-8-10-SM	16	5/8	-10	15,9	1/2x14	66	29	22
30182-8-10B	16	5/8	-10	15,9	1/2x14	66	29	7/8
30182-8-12-SM	20	3/4	-12	19,1	1/2x14	66	29	22
30182-8-12B	20	3/4	-12	19,1	1/2x14	66	29	7/8
30182-12-12	20	3/4	-12	19,1	3/4x14	66	29	1-1/16
30182-12-12C	20	3/4	-12	19,1	3/4x14	66	29	1-1/16
30182-12-12B	20	3/4	-12	19,1	3/4x14	66	29	1-1/16

Material:
Steel, zinc plated
B: Brass
C:
Stainless Steel
SM:
Metric Hexagon

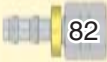


Information about standard products or non-standard products can be found in the current price list.
Dimensions shown may be changed at any time without prior notice.

13 – Male NPTF Pipe Swivel



Approved fitting series for hose types:



XXXX.XX.XX Part Number 	 Hose I.D.				 Thread NPTF	A	B	H
	DN	Inch	Size	mm				
31382-4-4	6	1/4	-4	6,3	1/4x18	41	22	9/16
31382-4-6	10	3/8	-6	9,5	1/4x18	45	23	11/16
31382-6-6	10	3/8	-6	9,5	3/8x18	45	23	11/16
31382-8-8	12	1/2	-8	12,7	1/2x14	56	29	7/8
31382-12-12	20	3/4	-12	19,1	3/4x14	94	58	1-1/4

Material: Steel, zinc plated

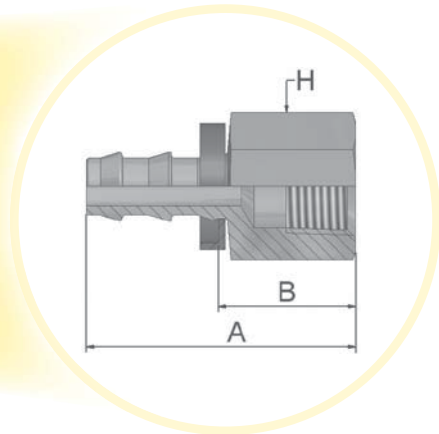
Note: This fitting allows for minor movement under pressure to relieve the torsion on hose, but it is not to be used for continuous or extreme swiveling.

Note: O-Ring is not compatible with Phosphate Ester Fluids.

Information about standard products or non-standard products can be found in the current price list. Dimensions shown may be changed at any time without prior notice.



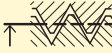
02 – Female NPTF Pipe – Rigid – Straight

SAE J476A / J516



Approved fitting series for hose types:



XXXX·XX·XX Part Number 	Hose I.D. 				Thread NPTF 	A	B	H
	DN	Inch	Size	mm				
30282-4-4B	6	1/4	-4	6,3	1/4x18	40	21	3/4
30282-4-4C-SM	6	1/4	-4	6,3	1/4x18	40	21	19
30282-6-6B	10	3/8	-6	9,5	3/8x18	46	23	7/8
30282-8-8C	12	1/2	-8	12,7	1/2x14	55	28	1-1/16
30282-8-8B	12	1/2	-8	12,7	1/2x14	55	28	1-1/16

Material: Steel, zinc plated
B = Brass
C = Stainless Steel
K = Without plastic ring
SM = Metric Hexagon

Information about standard products or non-standard products can be found in the current price list.
Dimensions shown may be changed at any time without prior notice.