

General Description

Series "N" needle valves are ideal as speed controls on hydraulic and pneumatic systems where a reverse flow check is not needed. They provide excellent control and a reliable shutoff in a very small envelope.

Operation

A two-step needle allows fine adjustment at low flow by using the first three turns of the adjusting knob; the next three turns open the valve to full flow, and also provide standard throttling adjustments.

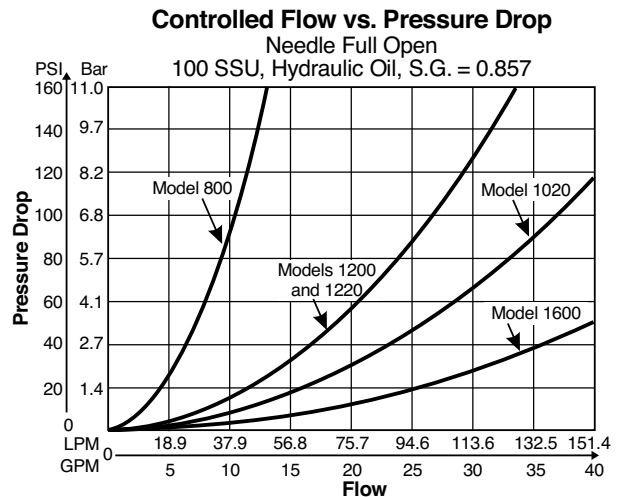
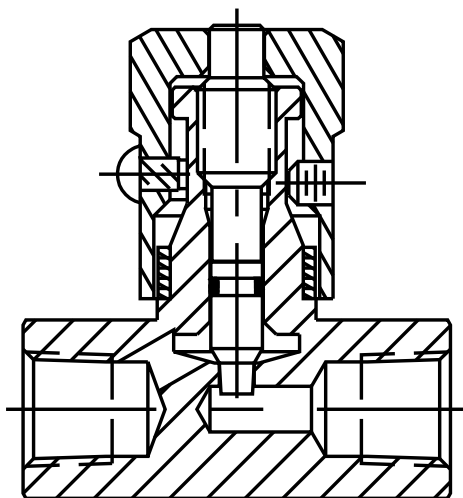
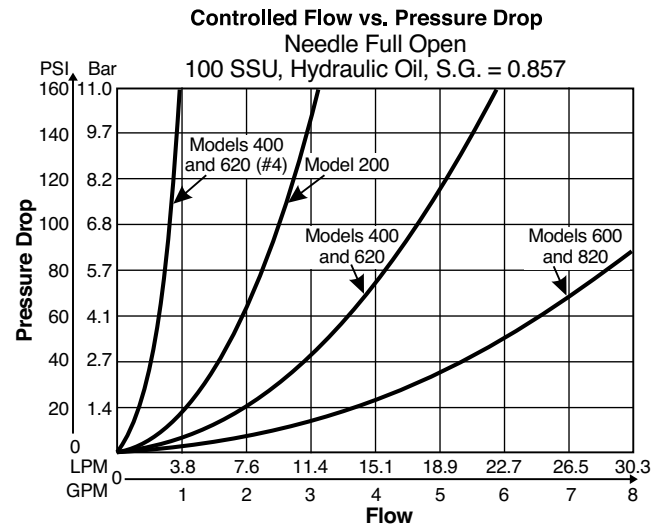
Features

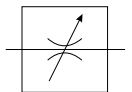
- The exclusive "Colorflow" color-band reference scale on the valve stem is a great convenience and time-saver in setting the valve originally and in returning it to any previous setting.
- A simple set screw locks the valve on any desired setting.
- A tamperproof option (T) feature is also available to prevent accidental or intentional adjustment of flow setting.



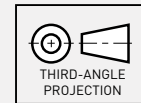
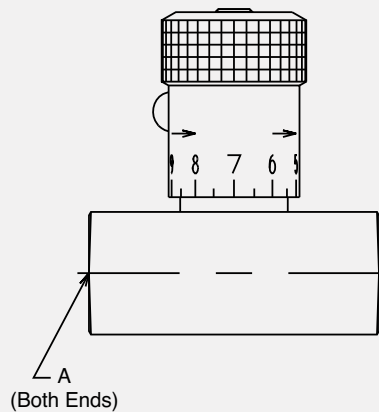
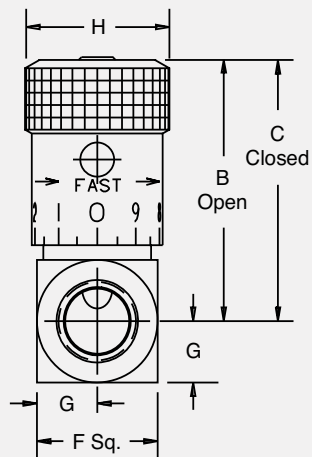
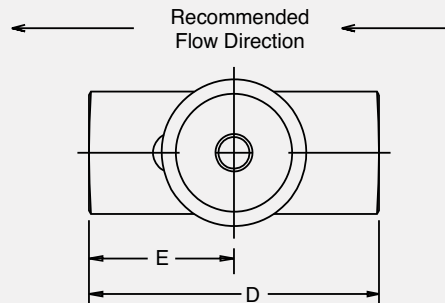
Specifications	
Maximum Operating Pressure	Brass: 140 Bar (2000 PSI); except for N1600 brass which is 35 Bar (500 psi)
	Steel & Stainless thru 1220; 207 Bar (3000 psi) Steel: for all other sizes
Operating Temperature	-40°C to +121°C (-40°F to +250°F)

Performance Curves





Flow Control / Check Valves

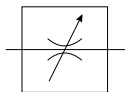


Needle Valves - Series N

Model Number	Max Flow LPM (gpm)	A	B	C	D	E	F	G	H
N400	19 (5)	1/4-18 NPTF	45.5 (1.79)	40.4 (1.59)	50.8 (2.00)	25.4 (1.00)	20.6 (0.81)	10.4 (0.41)	20.6 (0.81)
N600	30 (8)	3/8-18 NPTF	55.4 (2.18)	49.5 (1.95)	63.5 (2.50)	31.8 (1.25)	25.4 (1.00)	12.7 (0.50)	25.4 (1.00)
N800	57 (15)	1/2-14 NPTF	68.6 (2.70)	61.5 (2.42)	66.5 (2.62)	33.3 (1.31)	31.8 (1.25)	15.7 (0.62)	30.2 (1.19)
N1200	95 (25)	3/4-14 NPTF	85.9 (3.38)	71.4 (2.81)	82.6 (3.25)	41.1 (1.62)	38.1 (1.50)	19.1 (0.75)	35.1 (1.38)

*Inch equivalents for millimeter dimensions are shown in (**)





Ordering Information

Options Series **N** Size Material Needle Options Other Options Seal Compound Design Series

NOTE: Not required when ordering.

Code	Description
Omit	NPTF
8	BSPT
9	BSPP

Sizes available: Brass			
400	600	800	1200

Sizes available: Stainless Steel			
400	600	800	

Code	Description
Omit	Nitrile (Standard)
V	Fluorocarbon

Code	Description
Omit	Standard Knob
T*	Tamperproof
F	Finger Screw

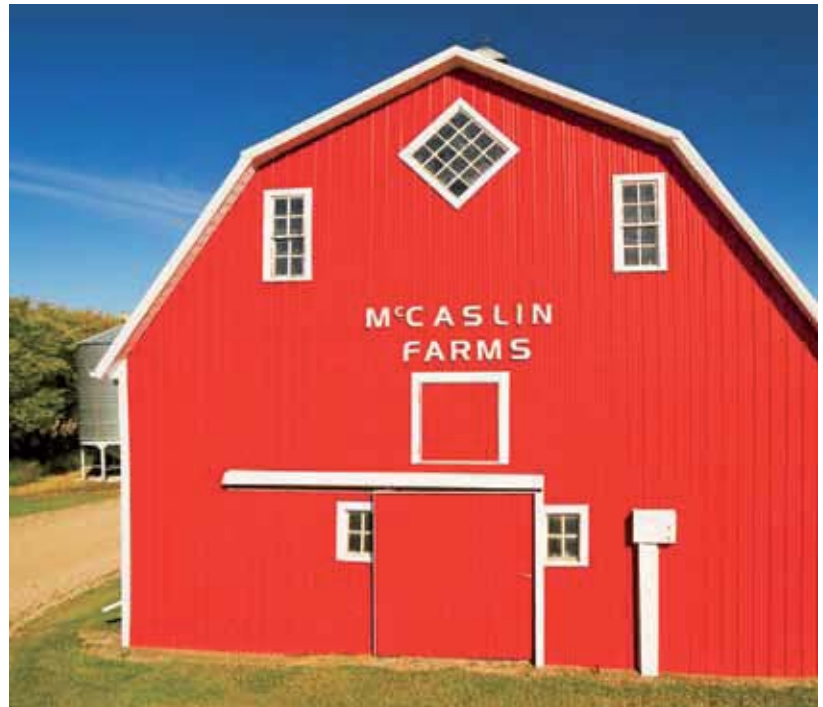
* Not available above 1200 size.

Code	Description
Omit	Standard Knob
B	Brass
S	Steel
*SS	Stainless Steel

Series F Brass Valves can be used for both air and oil service.
* Available in 400, 600 and 800 sizes.

Code	Description
Omit	Standard Knob
4	Fine Metering (200, 400, 600, 620 sizes)

Model Number	Weight Kg (lbs.)
N400	0.2 (0.5)
N600	0.3 (0.7)
N800	0.7 (1.5)
N1200	1.0 (2.3)



Flow Control / Check Valves

