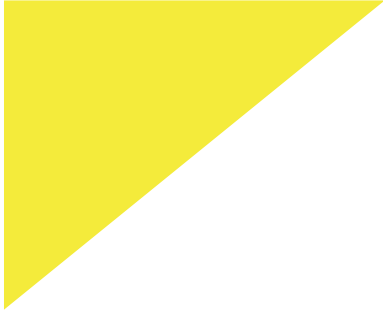


# Casting Solutions



Manifold blocks	pag 271
4DCPV	pag 273
5BM5DCPV	pag 275
4BD4FH	pag 277

The cast iron blocks shown in the pictures below are for illustrative purposes only.  
The shape of each block is tailor designed to meet the manufacturer's space requirements.

# Manifold blocks

Applications



Custom-made casting solutions for agriculture.

Cast iron manifold with 1/2" couplings screwed on. Designed to be screwed directly on control blocks. Every single casting is specifically developed for each tractor manufacturer, to meet impeding space requirements. Each Faster manifold block is specifically designed to match a specific control block interface. Each manifold can be equipped with different Female couplings for agriculture, depending on the required features. It can also be upgraded with compatible couplings of different series.



Manifold blocks can be equipped with couplings of the following series:



3CFPV



3CFHF



3CKHF



4SRPV



4SRHF



4SKHF



6DNPV

Please contact Faster for more information.

## Technical Specifications

Material	Cast Iron; Steel	Valve Type	Poppet
Seals	NBR; PUR*	Connection	Push to Connect
Working temperatures	<b>- 25 °C to + 125 °C</b>	Disconnection	Pull to Disconnect
Surface treatment	MATE <b>500</b> (CrIII)	Connection Under Pressure	Allowed, depending on the mounted couplings
Series Interchange	ISO <b>7241 part A</b>		

\* Working temperatures: - 25 °C to + 100 °C

# 4DCPV

Applications



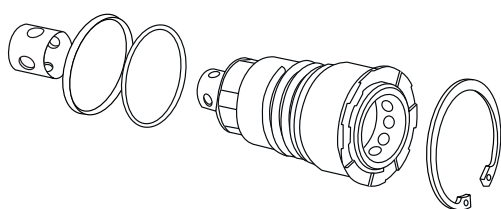
Custom-made casting solutions for agriculture with integrated cartridges.

The cast iron block is equipped with two integrated 1/2" cartridges, in accordance to ISO 7241 part A standard. Push-Pull connection type. Connection and disconnection under pressure allowed, thanks to the lever, specifically designed to ensure depressurization of the internal circuit. The block is designed to be screwed directly on control blocks. Every single casting is specifically developed for each tractor manufacturer, to meet impeding space requirements. Faster casting solutions are specifically designed to match the different control blocks interfaces available on the market. The lever can be mounted in different position, to meet space requirements.



Cartridges can be easily replaced. Easy to assemble and disassemble without special tools. Each kit contains rear seals and a smaller ring to retain the cartridge into the casting housing.

## Replacement cartridge



dash	Size		Part number	
	mm	inch		
08	12.5	1/2"	KIT4BM 4DCPVD3	For castings with lever on top
08	12.5	1/2"	KIT4BM 4DCPVE3	For castings with lever on the side

## Technical Specifications

Material	Cast Iron; Steel	Valve Type	Poppet
Seals	HNBR; PUR	Connection	Push to Connect or Lever
Working temperatures	<b>- 25 °C to + 125 °C</b>	Disconnection	Lever
Surface treatment	MATE <b>500</b> (CrIII)	Connection Under Pressure	Allowed
Series Interchange	ISO <b>7241 part A</b>		





# 5BM5DCPV

Applications

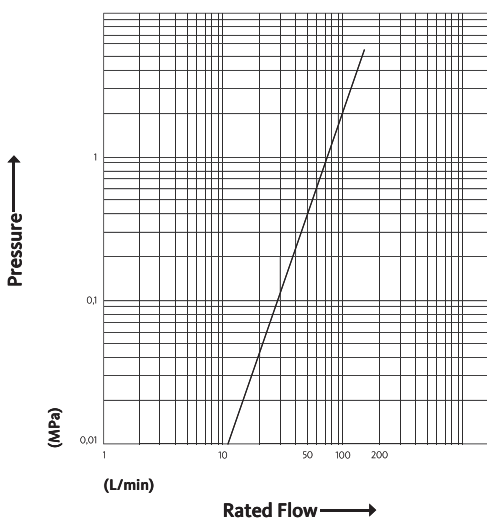


Custom-made remote casting solutions for agriculture with integrated cartridges

The cast iron block is equipped with two integrated 1/2" or 3/4" cartridges, in accordance to ISO 7241 part A standard. Push-Pull connection type. Connection and disconnection under pressure allowed, thanks to the lever, specifically designed to ensure depressurization of the internal circuit. Thanks to its special design, it can be connected to the control block remotely, by means of rigid hoses.

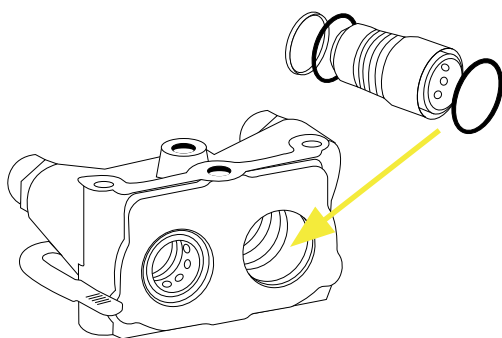


Pressure Drop



Test performed according to ISO 18869

Cartridges can be easily replaced. Easy to assemble and disassemble without special tools. Each kit contains rear seals and a smalley ring to retain the cartridge into the casting housing.



## Replacement cartridge

dash	Size		Part number
	mm	inch	
08	12.5	1/2"	KIT 5DCPVA08 A

## Technical Specifications

Material	Cast Iron; Steel
Seals	HNBR; PUR
Working temperatures	<b>- 25 °C to + 125 °C</b>
Surface treatment	MATE <b>500</b> (CrIII)
Series Interchange	ISO <b>7241 part A</b>

Valve Type	Poppet
Connection	Push to Connect or Lever
Disconnection	Lever
Connection Under Pressure	Allowed





# 4BD4FH

Castings with cartridges for Construction Equipment.

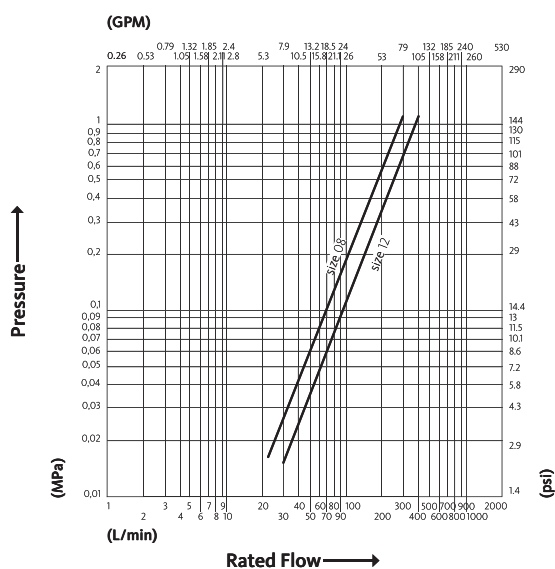
The first cast iron block ever designed to quickly connect and disconnect attachments on skid steers and other light equipment machines. The decompression feature allows to connect the circuit with residual pressure on both ends. 1/2" and 3/4" cartridges can both fit into the same block. Higher flow capability is guaranteed when using 3/4" cartridges instead of 1/2". Cartridges share all the benefits of the FFH/FSH couplings technology.



## Applications



## Pressure Drop



Test performed according to ISO 18869

## Technical Specifications

dash	Size		Working Pressure (MPa)	Flow Rate (l/min)	Spillage (ml)	Force to Connect (N)	Burst pressure (MPa)		
	mm	inch					Male	Female	Male + Female
08	12.5	1/2"	35	100	0.01	200	125	125	125
12	20	3/4"	35	145	0.02	230	125	125	125

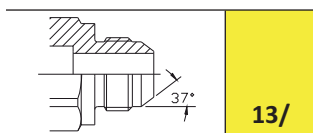
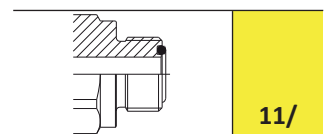
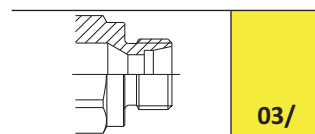
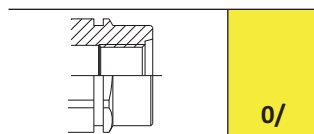
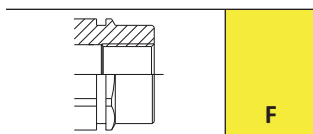
Material	Cast Iron; Steel
Seals	NBR; PUR
Working temperatures	<b>- 25 °C to + 100 °C</b>
Surface treatment	MATE <b>500</b> (CrIII); MATE <b>1000</b> (ZnNi)
Series Interchange	ISO <b>16028</b>

Valve Type	<b>Flat</b>
Connection	Push to Connect
Disconnection	Sleeve Retraction
Connection Under Pressure	Allowed Both Halves up to W.P.



# 4DB4FH

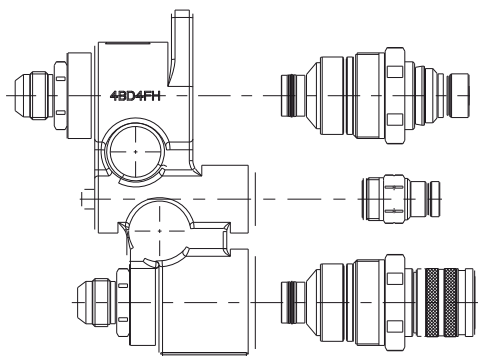
Size		Thread details										
mm	inch	Thread Type	Standard	Thread	Part Number	L (L1 + Thread)		D1		HEX1		
						mm	inch	mm	inch	mm	inch	
12.5	1/2"	03/ METRIC	ISO 8434-1-S	M24x1.5 MALE 16S	4BD4FH08-3/2415	180	7.09					
12.5	1/2"	F BSPP	ISO 1179-1	BSPP 3/4 FEMALE	4BD4FH08-C	187.5	7.38					
12.5	1/2"	0/ SAE	ISO 11926-1	9/16"-18 UNF FEMALE ORB	4BD4FH08-58SAE	187.5	7.38					
12.5	1/2"	13/ SAE	ISO 8434-2	7/8"-14 UNF MALE JIC	4BD4FH08-13/58S	185	7.28					
12.5	1/2"	13/ SAE	ISO 8434-2	1-1/16"-12 UNF MALE JIC	4BD4FH08-13/34S	187.6	7.39					
20	3/4"	13/ SAE	ISO 8434-2	1-1/16"-12 UNF MALE JIC	4BD4FH12-13/34S	207.4	8.17					
20	3/4"	13/ SAE	ISO 8434-2	1-5/16"-12 UNF MALE JIC	4BD4FH12-13/1S	208.6	8.21					
20	3/4"	11/ SAE	ISO 8434-3	1-3/16"-12 UN MALE ORFS	4BD4FH12-11/34S	202.5	7.97					



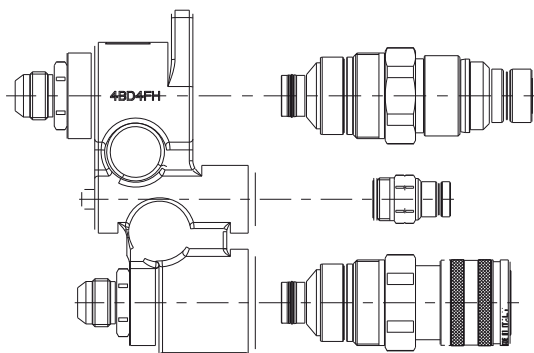
# 4BD4FH Cartridges replacement kit

Easy to replace cartridges

Size			Part number
dash	mm	inch	
08	12.5	1/2"	KIT 4FH08 M
08	12.5	1/2"	KIT 4FH08 F
08	12.5	1/2"	KIT 4FSH08 F
12	20	3/4"	KIT 4FH12 M
12	20	3/4"	KIT 4FH12 F



4BD4FH08



4BD4FH12



4FFH08 M



4FFH08 F



4FSH08 F



4FFH12 M



4FFH12 F